

# Twin SECO Ni 40

Stroke 600mm



## Chain Actuator / 230V ac / 400N

The Twin SECO Ni 40 is a certified and compliant Chain Actuator designed to provide precise and reliable operation for Environmental Ventilation applications.

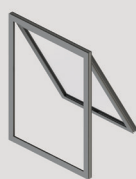
SE Controls manufacture this high-quality 'Made in Britain' actuator with the following features:

- 'Frequency of operation' data logging records every actuator movement
- Compact design with variable options for stroke length
- Standard finish is Grey RAL 9006, can be customised to suit requirements
- Standard flex length is 2m but this can be modified to suit installation requirements
- Extensive range of brackets to suit a variety of window systems
- Quiet operation with configurable speed control

## Orientation



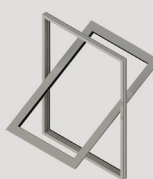
Bottom Hung



Top Hung



Side Hung



Centre Pivot

## Accreditations



## Applications



**Environmental Ventilation**

Not suitable for Smoke Ventilation.

## Associated Controls

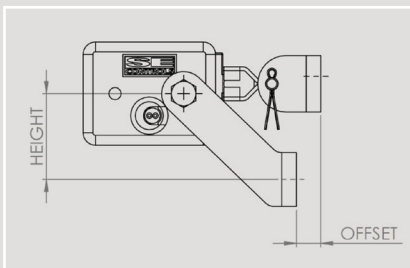
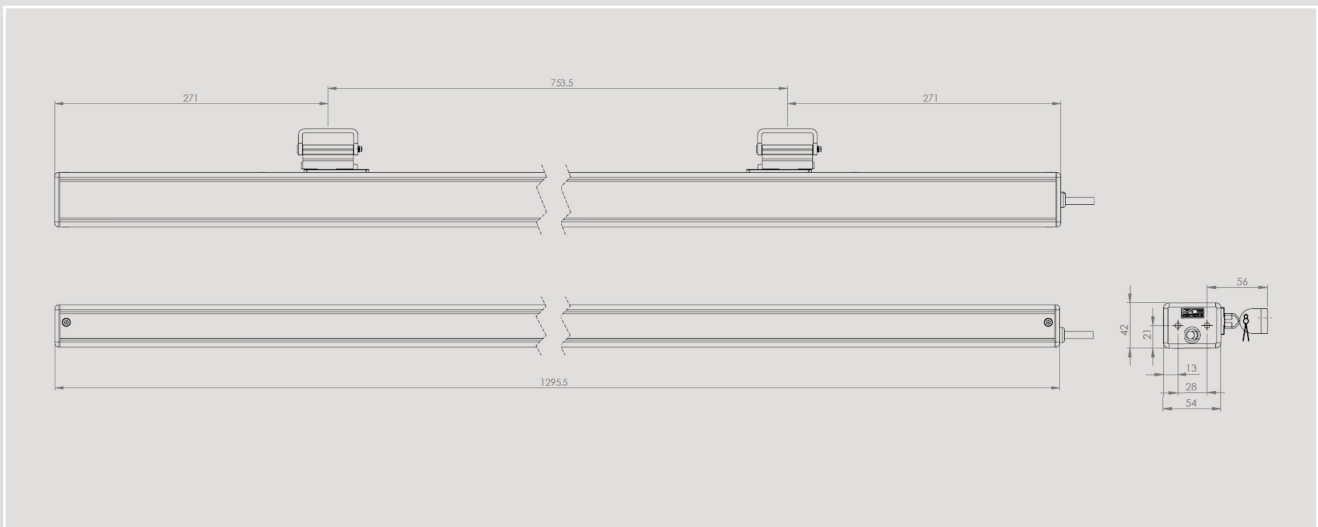
Controller	No. Actuators*
3 AMP Transformer	N/A
NVLogIQ PSU	N/A
SHEVTEC Controller	N/A
30 AMP PSU	N/A
OS2 AC Controller	8

\*Recommended maximum no. of actuators



Voltage to 230V chain actuators must be switched off after each operation with a rest period required between cycles.

## Technical Drawing



## Technical Data

<b>Actuator</b>	Twin SECO Ni 40
<b>Actuator Type</b>	230V ac Chain Opener
<b>Voltage (all +/-5%)</b>	230V ac
<b>Current Draw (Amp)</b>	0.5A
<b>Stroke</b>	0-600mm (configurable)
<b>Operating Speed</b>	15mm/sec min. 5mm/sec (configurable)
<b>Ambient Operating Temp</b>	-5°C to +60°C
<b>Thrust Force</b>	2 x 400N
<b>Close Force</b>	400N
<b>Soft Close</b>	Yes
<b>Switching</b>	Electronic
<b>Standard Finish</b>	Powder coated Grey (RAL 9006)
<b>Seal Relief</b>	Programmable up to 20mm
<b>Clamping Force</b>	2 x 400N
<b>Colour Option</b>	Other RAL colours available on request
<b>Flex Length</b>	2m
<b>Flex Type</b>	4 core PVC
<b>Flex Colour</b>	Grey
<b>Product Warranty</b>	15,000 cycles
<b>Duty Cycle</b>	22% (approx. 2 mins on, 7 mins off)
<b>IP Rating</b>	IP20
<b>Bracket</b>	Sill fixing/ open inward/ face fix bracket
<b>Application</b>	Environmental Ventilation

## Bracket Product Codes

	Height (mm)		
Offset (mm)	35	40	50
0	AKS16000001	AKS16000002	AKS16000003
5	AKS16050001	AKS16050002	AKS16050003
8	AKS16080001	AKS16080002	AKS16080003
10	AKS16100001	AKS16100002	AKS16100003
15	AKS16150001	AKS16150002	AKS16150003
20	N/A	N/A	AKS16200003

## Product Codes

Silver Grey (RAL 9006)	Operating Voltage	Force	Stroke
DAST140600S	230V	400N	600mm