

# SECO Ni Folding Arm Actuator

400N 90° Roller / Fixed Actuator



## SECO Ni Folding Arm Actuator

The SECO Ni Folding Arm Actuator is a certified solution designed to provide precise and reliable operation of doors utilised for smoke ventilation applications.

SE Controls manufacture this high-quality actuator with the following features:

- Tested to EN12101-2 : 2003 for open-out door applications with selected profiles - UK only.
- 'Frequency of operation' data logging records every actuator movement
- Compact design
- Suitable for left and right handed doors
- Built in VFC for operation of electric strikes or magnetic locks
- Standard finish is Grey RAL 9006, can be customised to suit requirements
- Standard flex length is 2m but this can be modified to suit installation requirements
- Roller option for open out manually openable doors fitted with concealed closures and fixed bracket options for open in and out secured applications.

\*\* Doors utilised for access with a roller detail need to be fitted with concealed closers

### Combined Access & Smoke Vent Door



## Accreditations

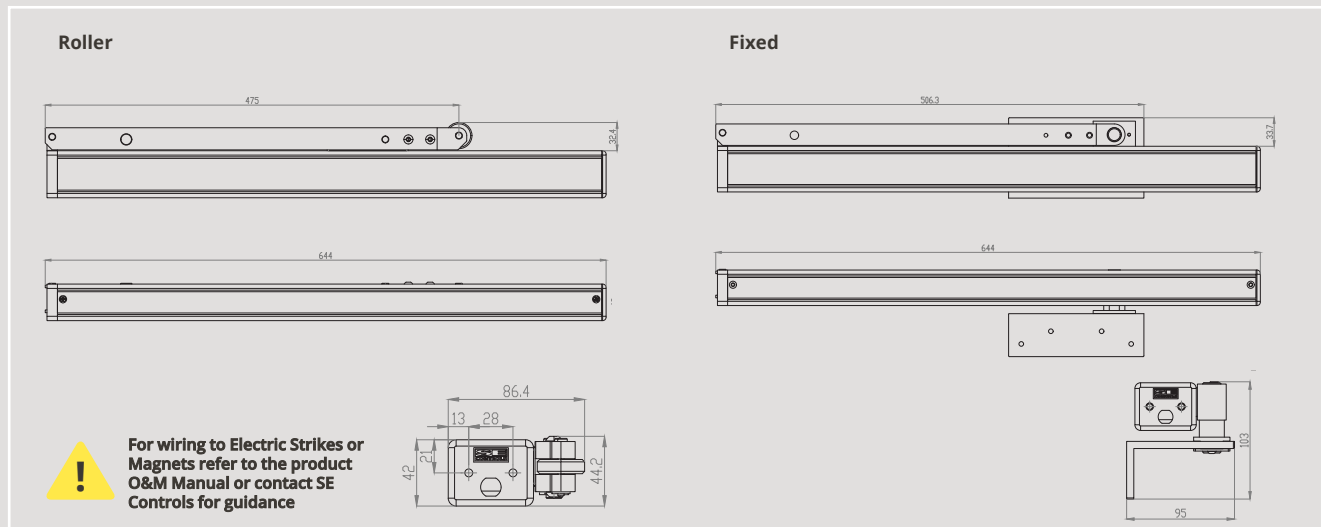


Tested to EN12101-2 : 2003 for open-out podium and stair access/smoke extraction with selected profiles\*

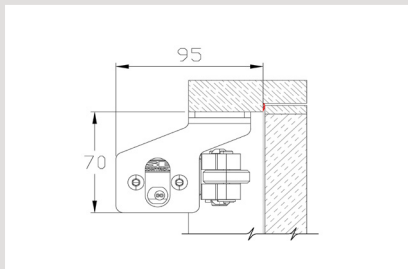


Please ensure the controllers have a minimum 1 second delay between switching AND a Permissible Ripple Voltage of 1V if they are not SE Controls products.

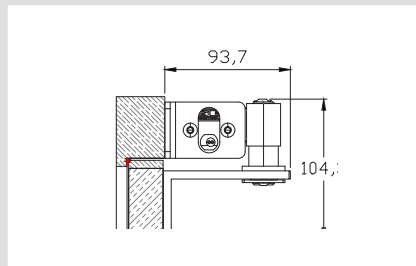
## Technical Drawing



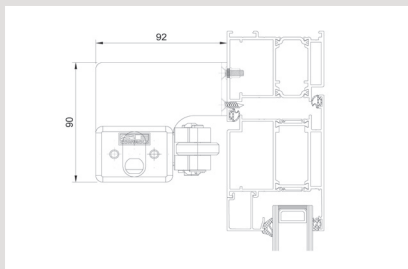
### Timber Frame Cross Corridor Door



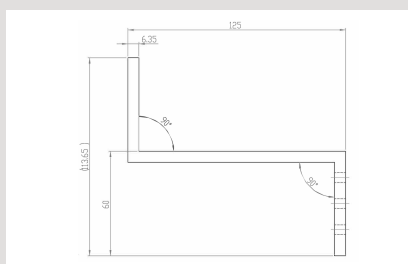
### Open In Door



### Open Out Door



### Open in Door - Z Bracket



## Technical Data

<b>Actuator Designation</b>	SECO Ni Folding Arm Actuator
<b>Actuator Type</b>	24V dc Folding Arm Actuator
<b>Voltage (all +/-5%)</b>	24V dc
<b>Current Draw (Amp)</b>	1.0A
<b>Stroke/Opening Angle</b>	0-600mm / 0-90° programmable
<b>Operating Speed</b>	15mm/sec
<b>Ambient Operating Temp</b>	-5°C to +60°C
<b>Thrust Force</b>	400N
<b>Close Force</b>	400N
<b>Soft Close</b>	Yes
<b>Switching</b>	Electronic
<b>Standard Finish</b>	Grey (RAL 9006)
<b>Seal Relief</b>	Programmable up to 20mm
<b>Colour Option</b>	Other RAL colours available on request
<b>Flex Length</b>	2m
<b>Flex Type</b>	5 Core - 2x 0.75mm <sup>2</sup> (Power) / 3x 0.25mm <sup>2</sup> (Comms)
<b>Flex Colour</b>	Black
<b>Product Warranty</b>	15,000 operational cycles or 12 months*
<b>Duty Cycle</b>	22% (2 mins on, 7 mins off)
<b>IP Rating</b>	IP20
<b>Bracket</b>	Frame Mounted Roller / Door Mounted Fixed
<b>Synchronisation</b>	Optional in pairs

\* Commercial terms for each project will supersede this warranty information.

### Product Codes

AFSI4009001	<b>Folding Arm Actuator 400N 90° Roller Type 5 wire</b>
AFSI4009002	<b>Folding Arm Actuator 400N 90° Fixed Type 5 Wire</b>

### Fixing Template Product Codes for Fixed Actuator

AXS15192001	<b>Frame Mounted Template - Right Hand</b>
AXS15192002	<b>Frame Mounted Template - Left Hand</b>

### Bracket Product Codes

AKS20000001	<b>Roller Bracket Set</b>
AKS20000002	<b>Fixed Bracket Set</b>
AKS20000003	<b>Pivot/Slider Set</b>
AKS20000004	<b>0mm offset Open-Out</b>
AXS15282001	<b>Series 40 FFA Bracket 125mm Z Roller Version</b>

### Extended FD60 Door Bolt

FYS18010026	<b>Extended Door Fixing Bolt FAA 85mm</b>
-------------	---

Fixings not supplied. Hole size 6x Ø5.5mm thru. Please contact our Technical Support Team for advice on brackets for specific applications.

+44 (0)1543 443060  
sales@secontrols.com  
www.secontrols.com