

SECO Ni Folding Arm Actuator

Fixed / 400 N / 90°



SECO Ni Folding Arm Actuator, Fixed

The SECO Ni Folding Arm Actuator, Fixed is designed to provide precise and reliable operation of doors utilised for environmental ventilation applications.

SE Control manufacture this high quality actuator with the following features::

- Frequency of operation data logging records every actuator movement
- Compact design
- Suitable for left and right-handed doors
- Standard finish is (RAL 9006), (White Aluminum) but this may be customised to suit installation requirements
- Standard flex length is 2 m, but this may be modified to suit installation requirements
- Fixed bracket options for open in and out secured applications



Environmental Ventilation

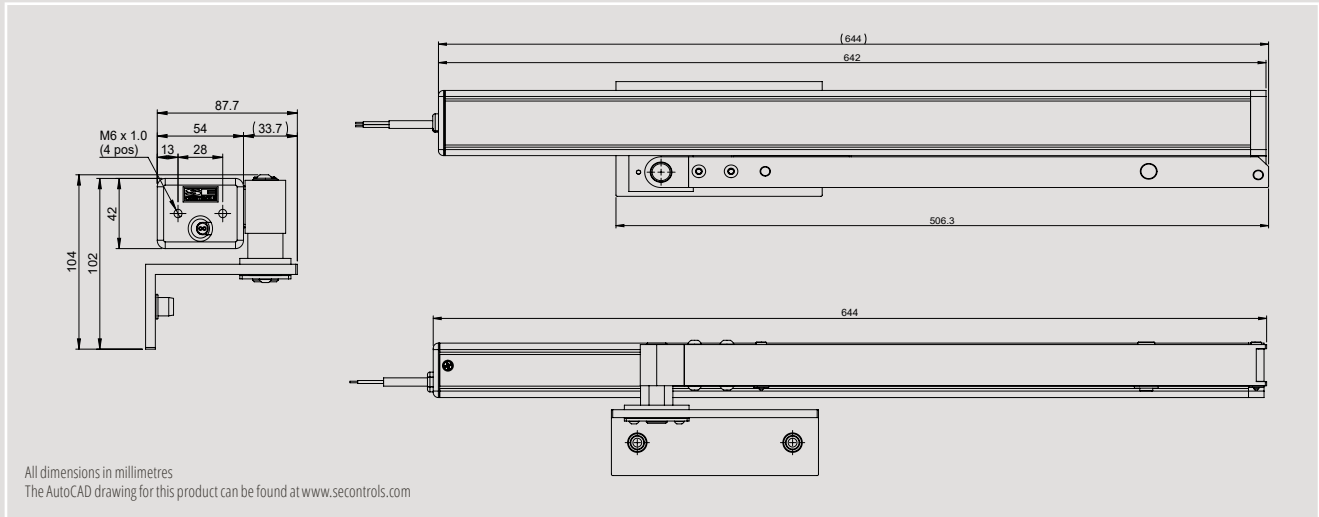


Smoke Ventilation

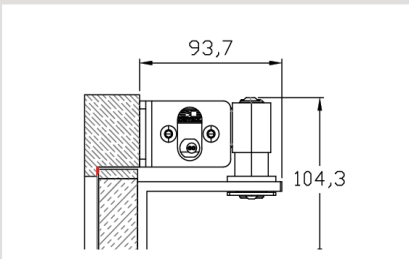


Please ensure the controllers have a minimum 1 second delay between switching AND a Permissible Ripple Voltage of 1 V if they are not SE Controls products.

Technical Drawing



Brackets Open In Door



If you require brackets for a specific application please contact the **SE Controls Facade team** via: facade@secontrols.com

Product Code

AFS14009002	Folding Arm Actuator 400N 90° Fixed Type 5 Wire
-------------	--

Fixing Template Product Codes

AXS15192001	Frame Mounted Template - Right Hand
AXS15192002	Frame Mounted Template - Left Hand

Bracket Product Codes

AKS20000001	Mounting Bracket Kit (Roller/Fixed) SECO Ni FAA¹
AKS20000002	Mounting Bracket Kit (Fixed)
AKS20000003	Pivot / Slider Kit (Fixed)

¹Suitable for Roller and Fixed FAA installations

Extended FD60 Door Bolt

FYS18010026	Extended Door Fixing Bolt FAA 85mm
-------------	---

Fixings not supplied. Hole size 6 x Ø.5.5 thru. Please contact our Technical Support Team for advice on brackets for specific applications.

Technical Data

Actuator Designation	SECO Ni Folding Arm Actuator
Actuator Type	24 V dc Fixed
Voltage (all ± 5%)	24 V dc
Current Draw (Amp)	1.0 A
Stroke	0 mm - 600 mm / 0-90° programmable
Operating Speed	17 mm/sec
Ambient Operating Temp	-5°C to +60°C
IP Rating	IP20
Thrust Force	400 N
Close Force	400 N
Soft Close	Yes
Switching	Electronic
Seal Relief	Programmable up to 20 mm
Synchronisation	Optional
Standard Finish Powder Coated	RAL 9006 (White Aluminium)
Colour Option	Other RAL colours available on request
Flex Length	2 m
Flex Type	5 Core - Power and Comms
Flex Colour	Black
Duty Cycle	22% (2 mins on, 7 mins off)
Product Warranty	12 months from date of invoice ¹
Bracket	Frame Mounted Fixed
Application	Smoke and Environmental Ventilation

¹ Commercial terms for each project will supersede this warranty information