

SECO Ni 24 40

Chain Actuator / 24 V dc / 400 N



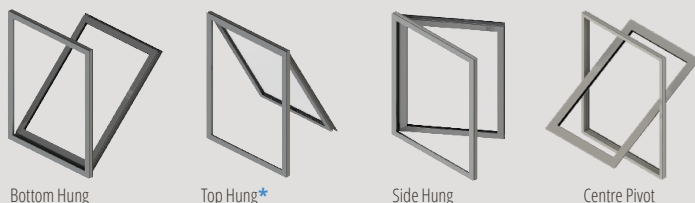
Chain Actuator / 24 V dc / 400 N

The SECO Ni 24 40 24 V dc chain actuator has been designed to provide precise and reliable operation for smoke and environmental ventilation applications.

SE Controls manufacture this high-quality 'Made in Britain' actuator with the following features:

- Tested to EN12101-2: 2003 - check the combination of actuator and profile is certified
- 'Frequency of operation data logging records every actuator movement
- Compact design with variable options for stroke length
- Volt Free Contact version available for positional feedback
- Standard finish is RAL 9006 (White Aluminum) but it can be customised to suit installation requirements
- Standard flex length is 2 m but this can be modified to suit installation requirements
- Extensive range of brackets to suit a variety of window systems
- Quiet operation with configurable speed control
- 900mm version is not suitable for Top Hung applications*

Orientation



NB: 24 V actuators require control from a compatible low voltage unit such as an OS2 SHEVTEC controller or NVLogiQ® PSU and permanent power should not be applied.

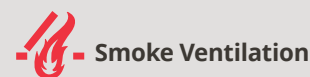
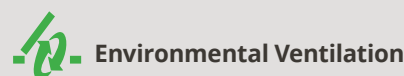
+44 (0)1543 443060
sales@secontrols.com
www.secontrols.com

Accreditations

Tested to EN12101-2: 2003. (check the combination of actuator and profile is certified).



Applications



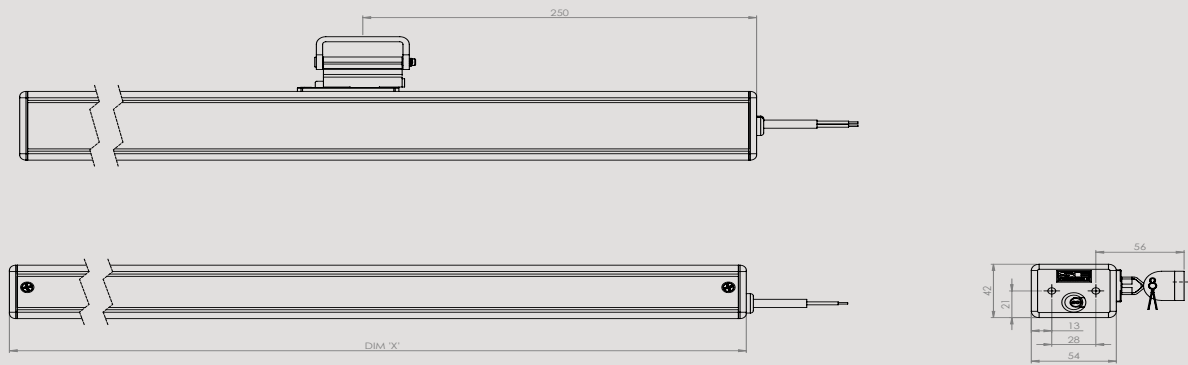
Associated Controls

Stroke	600mm	900mm
Controller	No. Actuators ¹	No. Actuators ¹
3 AMP Transformer	3	2
NVLogiQ PSU	4	4
SHEVTEC Controller	8	6
30 AMP PSU	30	25

¹Recommended maximum number of actuators. The maximum number of actuators is based on optimum operating conditions, please contact SE Controls for more information.

NB: 24 V actuators require control from a compatible low voltage unit such as an OS2 SHEVTEC controller or NVLogiQ® PSU and permanent power should not be applied.

Technical Drawing



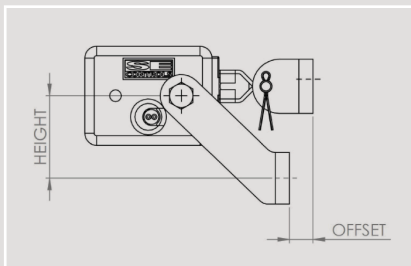
Dimensions

Dim X (mm)	Stroke (mm)
635	up to 600
785	601-900

All dimensions in millimetres

The AutoCAD drawing for this product can be found at www.secontrols.com

Standard Bracket Detail



Bracket Product Codes

Offset (mm)	Height (mm)		
	35	40	50
0	AKS16000001	AKS16000002	AKS16000003
5	AKS16050001	AKS16050002	AKS16050003
8	AKS16080001	AKS16080002	AKS16080003
10	AKS16100001	AKS16100002	AKS16100003
15	AKS16150001	AKS16150002	AKS16150003
20	N/A	N/A	AKS16200003



Please ensure the controllers have a minimum 1 second delay between switching if you are not using SE Controls products.

Technical Data

Actuator	SECO Ni 24 40
Actuator Type	Chain Actuator
Voltage (all ± 5%)	24 V dc
Amp Draw Current (with load)	20 mm-600 mm = 1.0 A 601 mm-900 mm ¹ = 1.2A
Stroke	20 mm-600 mm (configurable) 601 mm-900 mm ¹ (configurable)
Operating Speed	17 mm/sec min. 5 mm/sec (configurable)
Ambient Operating Temp	-5°C to +60°C
Thrust Force	400 N
Close Force	400 N
Clamping Force	4000 N
Soft Close	Yes
Switching	Electronic
Seal Relief	Programmable up to 20 mm
Synchronisation	Optional
Standard Finish	RAL 9006 (White Aluminium)
Colour Option	Other RAL colours available on request
Flex Length	2 m
Flex Type	2 core/ 0.75 mm silicone 4 core (volt free contact) as option
Flex Colour	Grey
Duty Cycle	22% (approx. 2 mins on, 7 mins off)
IP Rating	IP20
Product Warranty	15,000 cycles, or 12 months ²
Bracket	Sill fixing/ open inward/ face fix bracket
Application	Smoke and Environmental Ventilation

¹ The 900 mm version is not suitable for Top Hung applications.

² Commercial terms for each project will supersede this warranty information.

Product Codes

Silver Grey (RAL 9006)	Operating Voltage	Force	Stroke
AASI400600S	24 V	400 N	600 mm
AASI400900S	24 V	400 N	900 mm