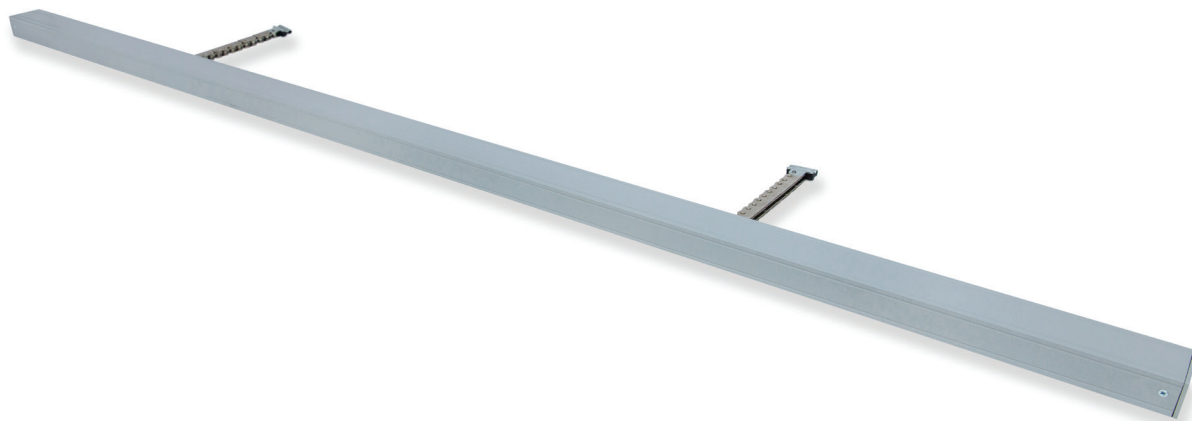


Twin SECO N 25

350mm (other strokes are available)

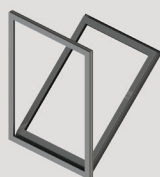


Chain Drive Actuator / 230V ac / 250N

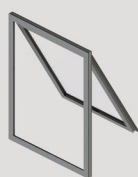
A unique twin chain actuator designed to offer improved window performance and aesthetics for automated solutions with the following features:

- Selectable compression point location and seal relief to optimise window weather performance in a single enclosure.
- Virtually silent operation with selectable speed control providing accurate position for Environmental ventilation strategies.
- Slim compact design with standard or tailored finishes and flex lengths.
- Standard range of pre selected quarter point bodies plus tailored lengths upon request.
- Extensive range of bracketry to suit all window system applications.
- Extended warranty/life expectancy with operational frequency logging.

Orientation



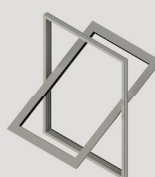
Bottom Hung



Top Hung



Side Hung



Centre Pivot

Accreditations



Applications



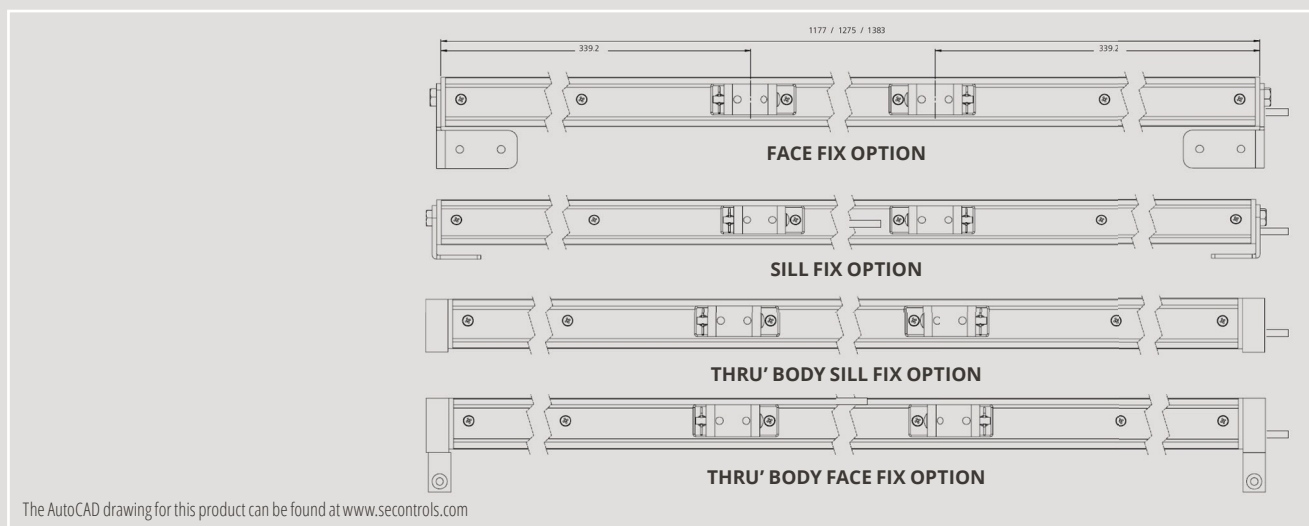
Environmental Ventilation

Not suitable for Smoke Ventilation.

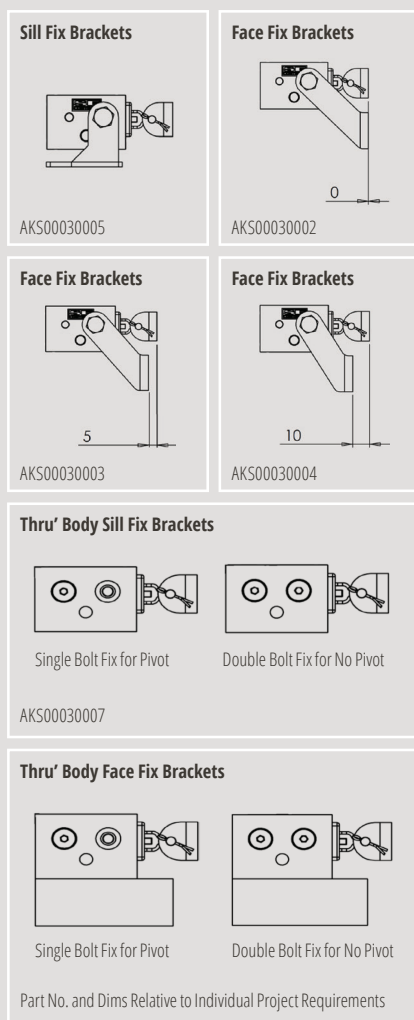


Voltage to 230V chain actuators must be switched off after each operation with a rest period required between cycles.

Technical Drawing



Brackets



Technical Data

Actuator	Twin SECO N 25
Type	Motorised
Actuator Type	Chain Opener
Dimensions	29 x 42 x 1177 / 1275 / 1383mm
Voltage (all +/-6%)	230V ac
Amp Draw Current (no load)	<0.25A
Amp Draw Current (with load)	<0.25A
Stroke	350mm other strokes are available*
Operating Speed	min. 5mm/sec (configurable)
Ambient Operating Temp.	-5°C +60°C
Thrust Force	250N x 2
Close Force	250N x 2
Soft Close	YES (via adjustable zero point setting)
Seal Relief	Programmable up to 20mm*
Clamping Force	2 x 4000N
Switching	Electronic
Standard Finish	Powder coated Grey (RAL 9006)
Flex Length	2m
Flex Type	2 core PVC 4 core (volt free contact)
Flex Colour	Grey
Protection Degree	IP20
Product Warranty	15,000 cycles
Brackets	Face fix, Through body, Pivot, Open in
Duty Cycle	2min on, 7 min off
Application	Environmental Ventilation

Product Codes

Silver Grey (RAL 9006)	Operating Voltage	Force	Stroke
DAST250350S	230V ac	250N	350mm
DAST251350S	230V ac	250N	350mm
DAST252350S	230V ac	250N	350mm

These actuators require operation from a 230V control unit. Contact SE Controls for recommendations.

*non standard options are available.