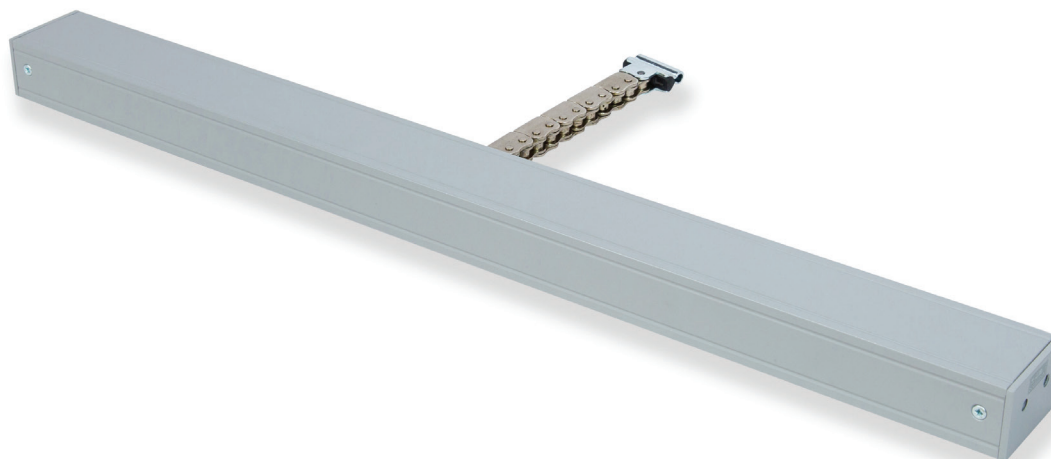


# SECO N 24 25

Stroke 250, 350mm



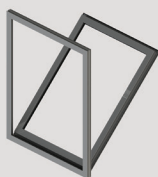
## Chain Actuator / 24V dc / 250N

The SECO N 24 25 is a certified and compliant Chain Actuator designed to provide precise and reliable operation for Environmental Ventilation applications.

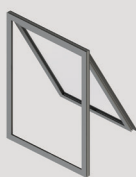
SE Controls manufacture this high-quality 'Made in Britain' actuator with the following features:

- 'Frequency of operation' data logging records every actuator movement
- Compact design with variable options for stroke length
- Standard finish is Grey RAL 9006, can be customised to suit requirements
- Standard flex length is 2m but this can be modified to suit installation requirements
- Extensive range of brackets to suit a variety of window systems
- Quiet operation with configurable speed control

## Orientation



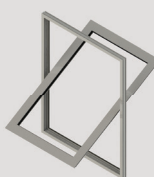
Bottom Hung



Top Hung



Side Hung



Centre Pivot

## Accreditations

Tested to BS EN ISO 16032:2004 for BB93 (2015).



## Applications



**Environmental Ventilation**

Not suitable for Smoke Ventilation.

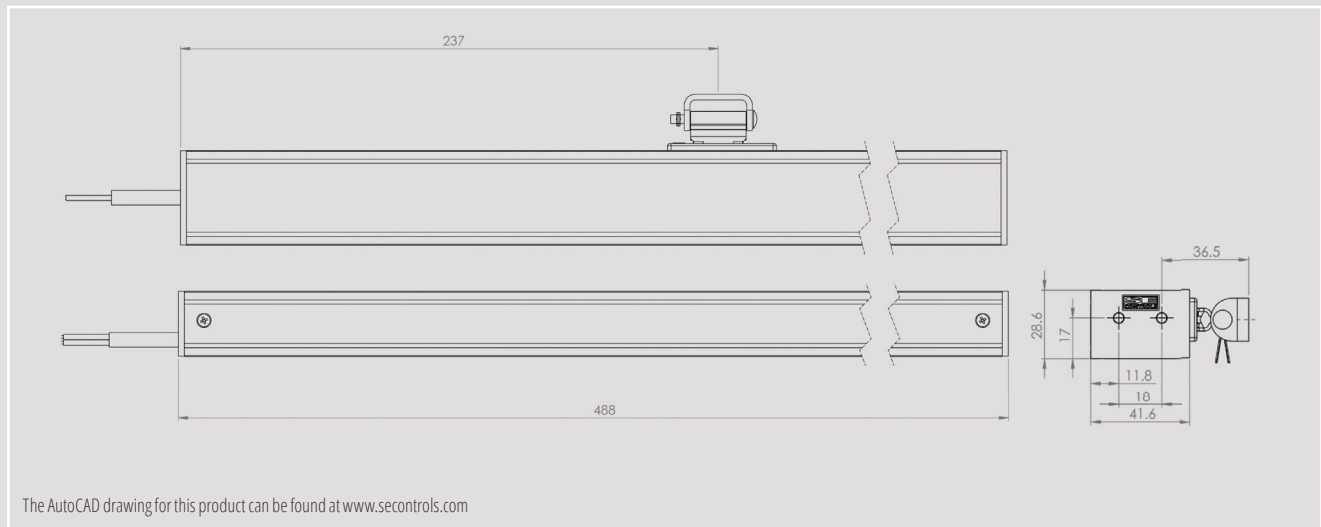
## Controllers

Controller	No. Actuators*
3 AMP Transformer	6
NVLogiQ PSU	8
SHEVTEC Controller	16
30 AMP PSU	60
OS2 AC Controller	N/A

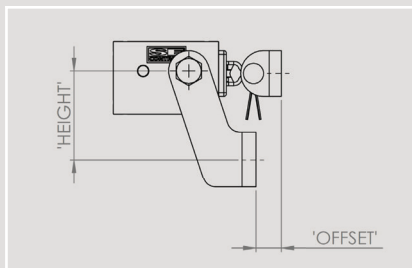
\*Recommended maximum no. of actuators

NB: 24V actuators require control from a compatible low voltage unit such as an OS2 SHEVTEC controller or NVLogiQ® PSU and permanent power should not be applied.

## Technical Drawing



## Standard Bracket Detail



## Bracket Product Codes

	Height (mm)		
Offset (mm)	35	40	50
0	AKS18000001	AKS18000002	AKS18000003
5	AKS18050001	AKS18050002	AKS18050003
8	AKS18080001	AKS18080002	AKS18080003
10	AKS18100001	AKS18100002	AKS18100003
15	AKS18150001	AKS18150002	AKS18150003
20	N/A	N/A	AKS18200003



Please ensure the controllers have a minimum 1 second delay between switching if they are not SE Controls products.

## Technical Data

<b>Actuator</b>	SECO N 24 25
<b>Actuator Type</b>	24V dc Chain Opener
<b>Voltage (all +/-5%)</b>	24V dc
<b>Current Draw (Amp)</b>	0.5A
<b>Stroke</b>	250mm, 350mm (configurable)
<b>Operating Speed</b>	5mm/sec (configurable) 3mm/sec (option single application only)
<b>Ambient Operating Temp</b>	-5°C to +60°C
<b>Thrust Force</b>	250N
<b>Close Force</b>	250N
<b>Soft Close</b>	Yes
<b>Switching</b>	Electronic
<b>Standard Finish</b>	Powder coated Grey (RAL 9006)
<b>Seal Relief</b>	Programmable up to 20mm
<b>Clamping Force</b>	4000N
<b>Colour Option</b>	Other RAL colours available on request
<b>Flex Length</b>	2m
<b>Flex Type</b>	2 core PVC 4 core (volt free contact) as option
<b>Flex Colour</b>	Grey
<b>Product Warranty</b>	15,000 cycles
<b>Duty Cycle</b>	22% (approx. 2 mins on, 7 mins off)
<b>IP Rating</b>	IP20
<b>Bracket</b>	Sill fixing/ face fix/ thru body sill
<b>Synchronisation</b>	Optional
<b>Application</b>	Environmental Ventilation

## Product Codes

Silver Grey (RAL 9006)	Operating Voltage	Force	Stroke
AAS0250250S	24V	250N	250mm
AAS0250350S	24V	250N	350mm