

SECO N 24 25

Chain Actuator / 24 V dc / 250 N



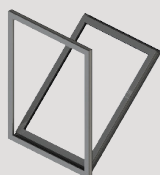
Chain Actuator / 24 V dc / 250 N

The SECO N 24 25 is a compliant Chain Actuator designed to provide precise and reliable operation for Environmental Ventilation applications.

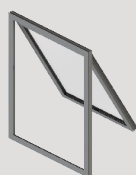
SE Controls manufacture this high-quality 'Made in Britain' actuator with the following features:

- 'Frequency of operation' data logging records every actuator movement
- Compact design with variable options for stroke length
- Standard finish is RAL 9006 (White Aluminum) but it can be customised to suit installation requirements
- Standard flex length is 2 m but this can be modified to suit installation requirements
- Extensive range of brackets to suit a variety of window systems
- Quiet operation with configurable speed control

Orientation



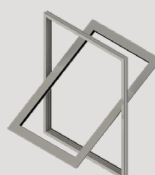
Bottom Hung



Top Hung



Side Hung



Centre Pivot

Tested to BS EN ISO 16032:2004 for BB93 (2015).



Applications



Environmental Ventilation

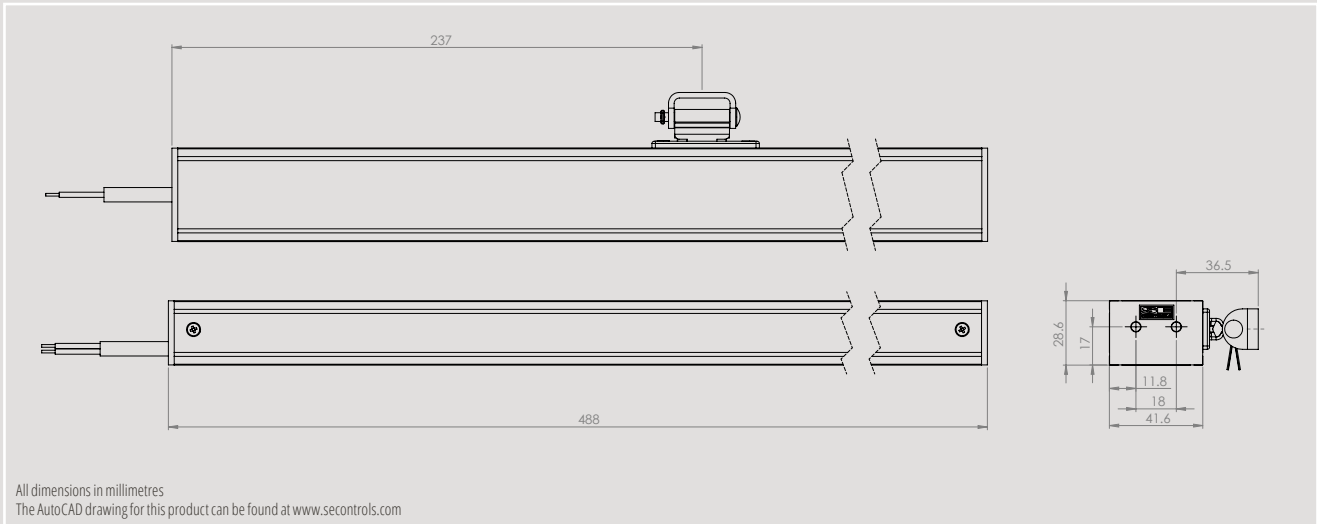
Controllers

Controller	No. Actuators ¹
3 AMP Transformer	6
NVLogiQ PSU	8
SHEVTEC Controller	16
30 AMP PSU	60

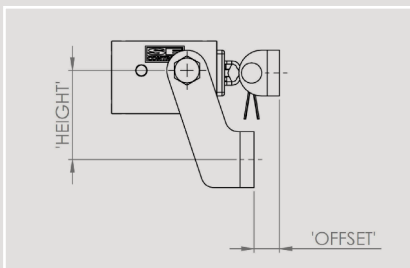
¹Recommended maximum number of actuators. The maximum number of actuators is based on optimum operating conditions, please contact SE Controls for more information.

NB: 24 V actuators require control from a compatible low voltage unit such as an OS2 SHEVTEC controller or NVLogiQ® PSU and permanent power should not be applied.

Technical Drawing



Standard Bracket Detail



Bracket Product Codes

	Height (mm)		
Offset (mm)	35	40	50
0	AKS18000001	AKS18000002	AKS18000003
5	AKS18050001	AKS18050002	AKS18050003
8	AKS18080001	AKS18080002	AKS18080003
10	AKS18100001	AKS18100002	AKS18100003
15	AKS18150001	AKS18150002	AKS18150003
20	N/A	N/A	AKS18200003



Please ensure the controllers have a minimum 1 second delay between switching if you are not using SE Controls products.

Technical Data

Actuator	SECO N 24 25
Actuator Type	Chain Actuator
Voltage (all ± 5%)	24 V dc
Amp Draw Current (with load)	0.5A
Stroke	20 mm - 250 mm, 20 mm - 350 mm (configurable)
Operating Speed	5 mm/sec (configurable) 3 mm/sec (option single application only)
Ambient Operating Temp	-5°C to +60°C
IP Rating	IP20
Thrust Force	250 N
Close Force	250 N
Clamping Force	4000 N
Soft Close	Yes
Switching	Electronic
Seal Relief	Programmable up to 20 mm
Synchronisation	Optional
Standard Finish Powder Coated	RAL 9006 (White Aluminium)
Colour Option	Other RAL colours available on request
Flex Length	2 m
Flex Type	2 core PVC 4 core (volt free contact) as option
Flex Colour	Grey
Duty Cycle	22% (approx. 2 mins on, 7 mins off)
Product Warranty	15,000 cycles, or 12 months ¹
Bracket	Sill fixing/ face fix
Application	Environmental Ventilation

¹ Commercial terms for each project will supersede this warranty information.

Product Codes

Silver Grey (RAL 9006)	Operating Voltage	Force	Stroke
AAS0250250S	24 V	250 N	250 mm
AAS0250350S	24 V	250 N	350 mm