

Wind & Rain Sensor



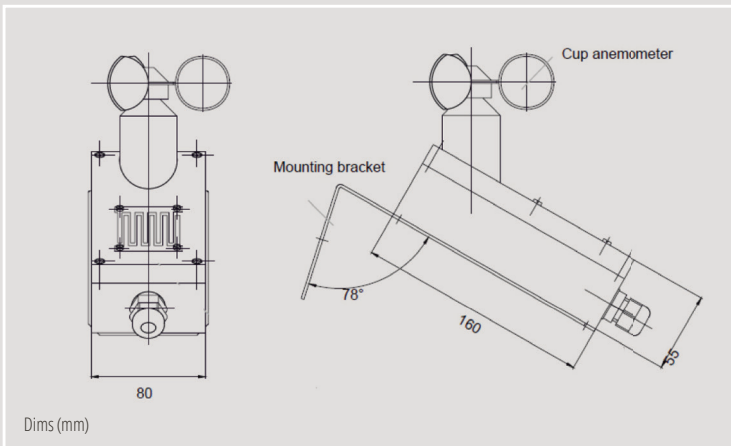
Features

Durable design integrating both wind & rain sensors, can be set independently as a wind speed or rain sensor.

Special Features

- Energy-efficient heating
- Integrated electronic evaluation system
- Up to 4 different wind speed settings

Technical Drawing



Accreditations



Product Codes

Wind & Rain Sensor

AWG60000531

Applications

