

# Stand Alone Rain Sensor



## Controllers/Sensors

The stand alone rain sensor automatically detects rain or snow fall and signals the ventilation control system to close open vents.

The sensor is built into a plastic weather proof enclosure. The mounting bracket system has been designed such that the sensor can be mounted on to any suitable external façade of a building and adjusted for optimum rain detection.

For correct operation, the sensor requires a 24V ac/dc  $\pm$  20% power supply @ 55mA to power the electronics and heater element. The signalling to the ventilation control system is via volt free contacts rated at 30V dc @ 1A resistive.

The sensor is NOT suitable for operation at 230V ac.

## Accreditations

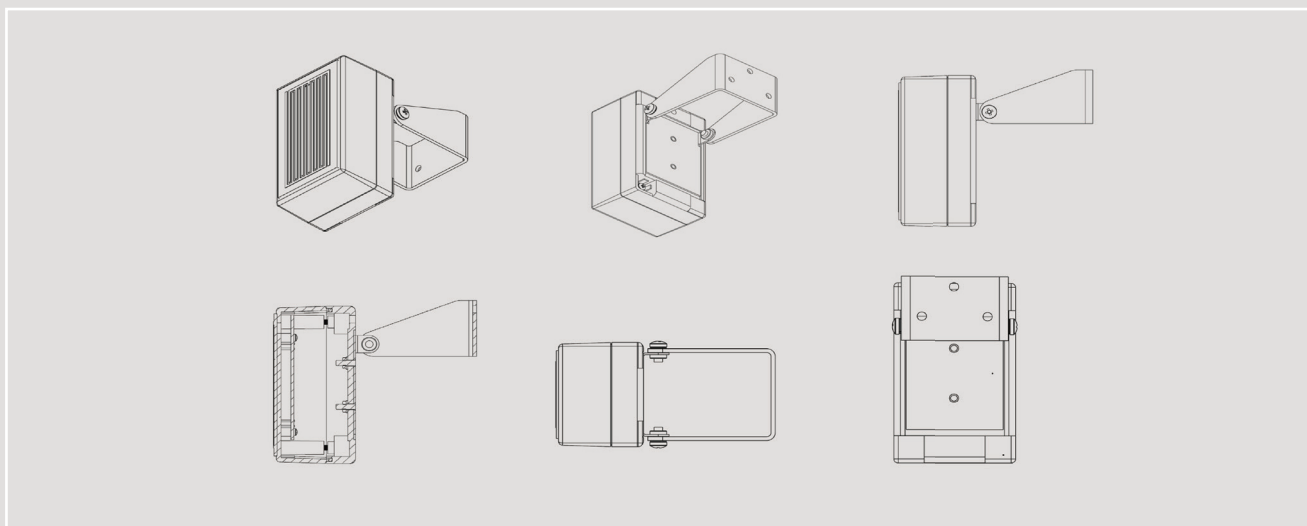


## Applications



Environmental Ventilation

## Technical Drawing



## Product Code

Product	Part No
Stand Alone Rain Sensor	FCS00200400

## Technical Data

<b>Sensor</b>	Stand Alone Rain Sensor
<b>Voltage (all +/-5%)</b>	24V dc / 24V ac
<b>Ambient Operating Temp</b>	-10°C to +50°C
<b>Switching</b>	Volt Free
<b>Standard Finish</b>	Black
<b>Flex Length</b>	3m 4 core white 0.2mm
<b>IP Rating</b>	IP65
<b>Dimensions</b>	95 x 55 x 40mm
<b>Weight</b>	250g
<b>Application</b>	Environmental Ventilation