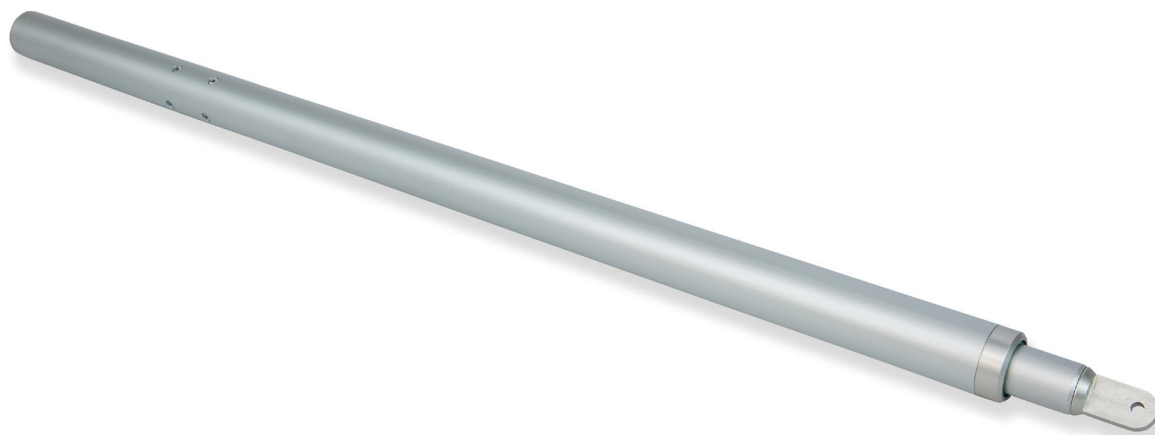


TGLA 24 100

Stroke 300 / 500 / 750 / 1000mm



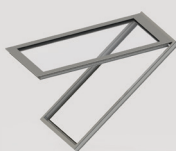
Linear Drive Actuator / 24V dc / 1000N

High quality, extremely strong linear drive mainly used for sloping smoke ventilators and rooflight applications.

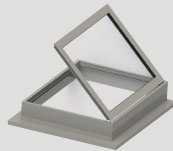
Large vents can be opened large distances due to the force and opening strokes available.

Standard finish is anodised aluminium.

Orientation



Sloping Roof Vent



Roof Vent

Accreditations

Certified and tested to EN12101-2.



Applications

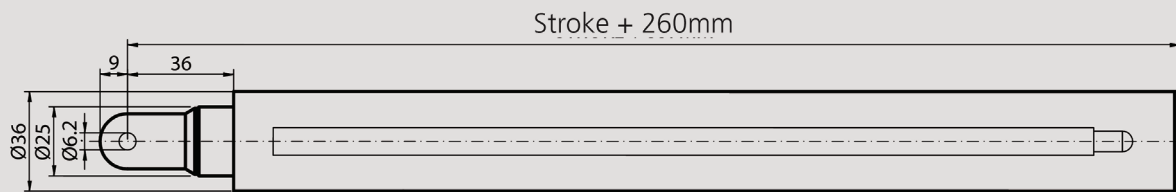


Environmental Ventilation



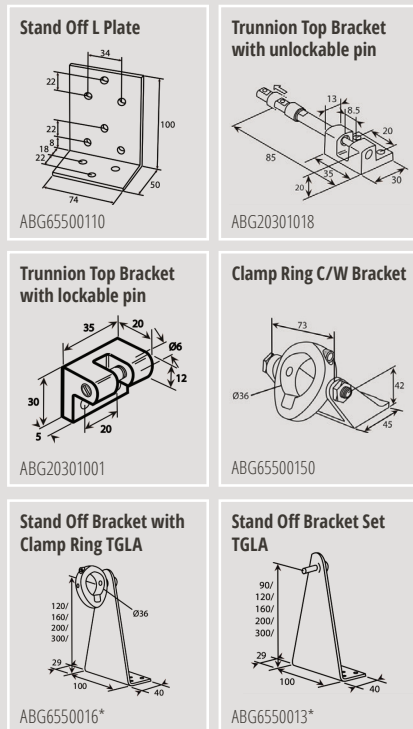
Smoke Ventilation

Technical Drawing



For further dimensions see table below

Brackets



Technical Data

Actuator	TGLA 24 100
Type	Linear
Actuator Type	Motorised
Voltage (all +/-6%)	24V dc
Current Draw (Amp)	1.1A
Consumption (without load)	31W
Consumption (with load)	34W
Stroke	300/500/600/750/1000mm
Operating Speed	3.8mm/s
Ambient Operating Temp	-5°C +75°C
Thrust Force	1000N
Close Force	1000N
Switching	Electronic limit
Type of Switch	Absorption
Standard Finish	Silver Anodised
Colour Option	Other RAL colours available on request
Window Min. Height	Contact for details
Flex Length	1000mm
Flex Type	2 x 0.75mm/4 x 0.5mm for Signal Giver silicon white
Insulation Class	Contact for details
IP Rating	IP54
Product Warranty	10,000 Cycles (each direction)
Clamp Ring	Yes
U Bracket	Yes
Application	Environmental and Smoke Ventilation

Product Codes

Stroke Y	No Limit	Integral Limit	Signal Giver
300mm	*AAG10003005	*AAG10003000	*AAG10003001
500mm	*AAG10005005	*AAG10005000	*AAG10005001
750mm	*AAG10007505	*AAG10007507	*AAG10007502
1000mm	*AAG10010005	*AAG10010000	*AAG10010001

These actuators require control from a compatible low voltage unit such as OS2. Contact an SE Controls sales representative for recommendations.

Contact for details of availability for product codes starting with *.