

SHEVTEC® Smoke Shaft Door Actuator

Smoke Control for doors

SHEVTEC® Smoke Shaft Door Actuator



Features:

SE Controls SHEVTEC® Smoke Shaft Door Actuator is a ventilation solution that can be used in a natural or mechanical shaft as an alternative to dampers within a commercial or residential application.

Tested to the principles of EN12101-2:2003 Annex G, the SHEVTEC® Smoke Shaft Door Actuator offers the construction industry a fully certified fit for purpose solution. The actuator can be fitted to either side of the smoke shaft door and can be removed for maintenance via security tooling.

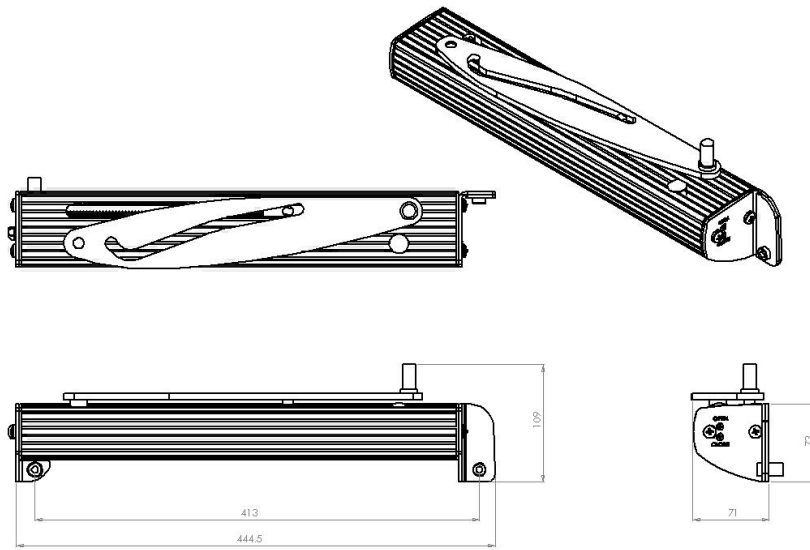
To meet the stringent requirements of opening and closing a sealed smoke door, the actuator has been rigorously cycle tested for reliability and operation at 300°C in accordance to EN12101-2:2003. The actuator is power open, power close to maintain shaft integrity for the unaffected floors when subjected to high temperatures within the shaft.



Version 2.1

SHEVTEC® Smoke Door Actuator

Technical Drawing



24V dc

The AutoCAD drawing for this product can be found at www.secontrols.com

Technical Data

Connections



Product	Door opener
Type	Actuator
Usage	Smoke ventilation
Voltage	24V dc
Current	0.5A
Max Force	2000N
Speed with Nominal Load	Door to open to 90° within 60 seconds
Operating Temperature	In line with EN12101-2:2003 Annex G
Life Cycle	5000
Flex	2 core silicone
Dimensions	See above
Switching	Electronic
Type of Switch	Positional Limiting
Fixing Options	Door or frame, top or bottom
IP Rating	IP20
Intumescent Seal	1mm mounted under actuator bracket

Product	Product / Solution Compliance
SHEVTEC® Smoke Shaft Actuator	Principles of EN12101-2: 2003 Annex G - Door to operate after 5 minutes at 300° and open the door to 90° and remain

Recommended configuration and controls:
SE Controls SHEVTEC® Smoke Shaft Door actuator requires a low voltage control system such as OSLoop or the OS2 controller range.

Please call an SE Controls sales representative for recommendations.

CE CERTIFIED

Compliant to applicable regulations.

Version 2.1