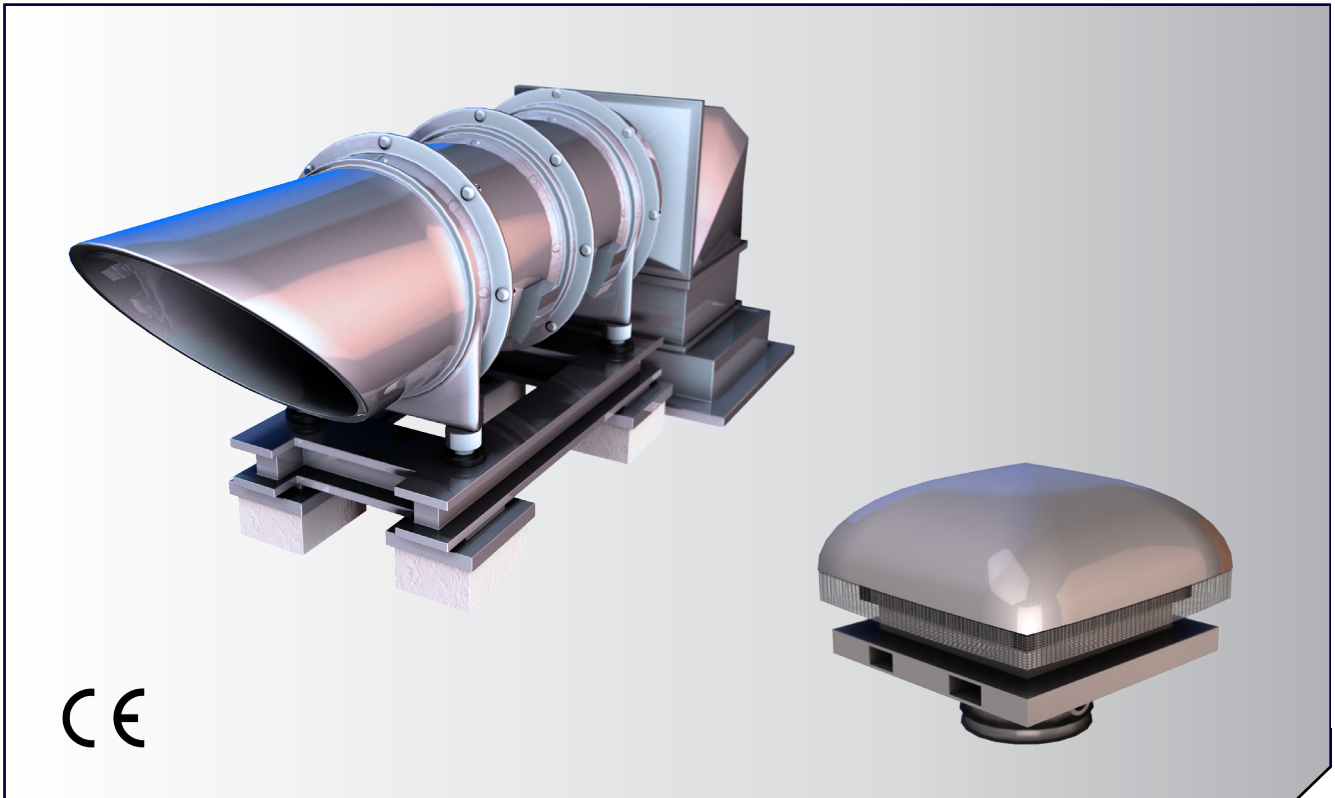


# SHEVTEC® Powered Extract Fans

*Powered Smoke Extraction for Smoke Shaft Applications*

SHEVTEC® POWERED EXTRACT FANS



## **SHEVTEC® Powered Extract Fans**

SE Controls' SHEVTEC® range of fans are designed to extract hot gases from corridors and lobbies via smoke shafts. All fan sets are tested to European Standard EN12101-3 and installed as part of a fire engineered solution. There are advantages in using mechanical smoke shafts over code compliant natural ventilation shafts, namely: the shaft sizes are generally smaller than ABD compliant shafts (typically 0.6m<sup>2</sup> vs 1.5m<sup>2</sup>). Furthermore the fan sets allow greater efficiency in achieving necessary pressure differences thereby allowing increased escape travel distances and reducing the reliance of multiple escape stair cores.



### **SHEVTEC® Powered Extract Fans Available:**

#### **Single Speed Fan Set**

Designed for use with more than 1 mechanical shaft and natural inlet, the fan set includes duty & standby and autochangeover control. Fire fighting extract is achieved through activation of multiple fan sets.

**Supply Voltage: 3 phase 415V**

**Tested to EN12101-3**

#### **2 Speed Fan Set**

Designed for use in a mechanically assisted natural ventilation shaft, the fan set includes duty & standby and autochangeover control. Primary speed setting is used for means of escape and secondary speed operates in fire fighting mode.

**Supply Voltage: 3 phase 415V**

**Tested to EN12101-3**

#### **Fully Reversible Fan Set**

Designed for use with further fully reversible fans to smoke shafts to facilitate a fully adaptive SHEV system. Each fan includes an intelligent controller which can activate the fan to operate as a supply fan or an extract fan. The controller can take further inputs from pressure sensors to regulate speed and prevent over/ under pressurisation of the lobby. Each fan is capable of providing means of escape and fire fighting functionality.

**Supply Voltage: Single Phase 230v**

**Tested to EN12101-3**

## **CE CERTIFIED**

**Compliant to applicable regulations.**

Version 2.1