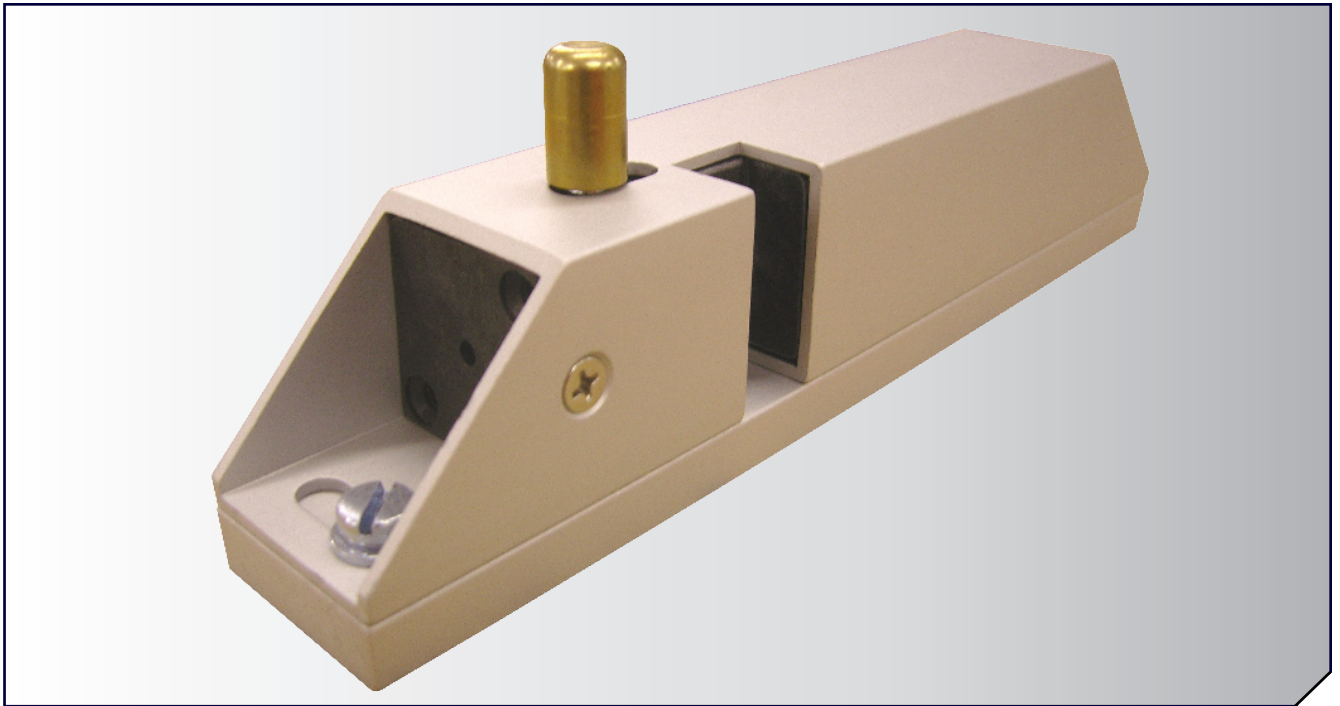


SECA 24 SW

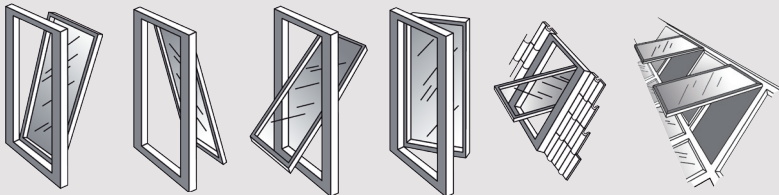
Specifically designed for SNAP WINDOW applications



24V dc

LOCKING CATCHES

Applications



Features:

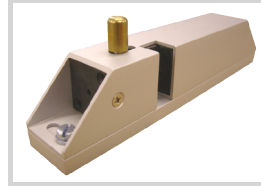
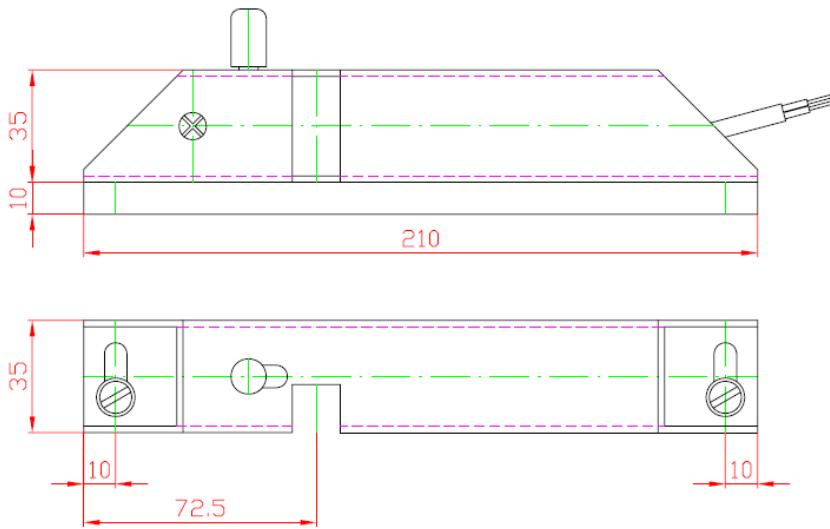
Low voltage failsafe catch to hold windows closed on receipt of 24 volts.
Loss of power releases the catch and allows gas springs to open the windows.

It is manufactured from anodised aluminium, which can be powder coated from a range of standard RAL colours

Version 2.0

SECA 24 SW

Technical Drawing



24V dc

The AutoCAD drawing for this product can be found at www.secontrols.com

Technical Data

Connections

PRODUCT	SECA 24 SW
TYPE	MAGNETIC
USAGE	SMOKE VENTILATION
VOLTAGE	24V dc
CAPACITY	0.13A
WINDOW SIZE (MAX)	1000mmx 600mm
STANDARD FINISH	Brushed Aluminium

These actuators require control from a compatible low voltage unit such as OS2.
Recommended Control:
Contact an SE Control sales representative for recommendations.

Product	Operating voltage	Product code
SECA 24 SW	24V dc	BCB200040SW